



■ Product Description

ULM-200C is an ultrasonic non-contacting level meter designed sensor and transmitter in one housing. The measurement range is 8 meters and It is two-wire loop-powered product. The sensor material is PVDF so it can be applied in various industry applications. Its simple maintenance one of benefits of ULM-200C and The accurate level and reliable performance enable you the effective level monitoring and your facilities running safely and consistently.



■ Features

- Compact Design
- Aluminum alloy for diecastings Housing
- Temperature Compensation by a Built-in temp.sensor
- Two wire loop-powered
- Simple Installation & Maintenance

■ Specification

Dimension	117(D)×209(H) mm
Process Connection	2 1/2" NPT
Housing Material	Aluminum alloy for diecastings
Sensor Material	Polypropylene
Weight	Nominal 2.8Kg
IP Rating	IP67
Temperature	-20°C~70°C (-4°F~158°F)

Measuring Range	0.3 ~ 8 m (0.98 ~ 26.2ft)
Accuracy	0.2% of F.S
Display Resolution	1mm
Beam Angle	8° at -3dB
Damping Rate	Adjustable 0.1m/min to 100m/min
Temperature Compensation	Built-in temperature sensor

Analog Output	4~20mA, 550Ω at DC24V
Display	5 Digit Numeric LCD
Power Supply	DC20~30V
Supply Current	Less than 0.022A

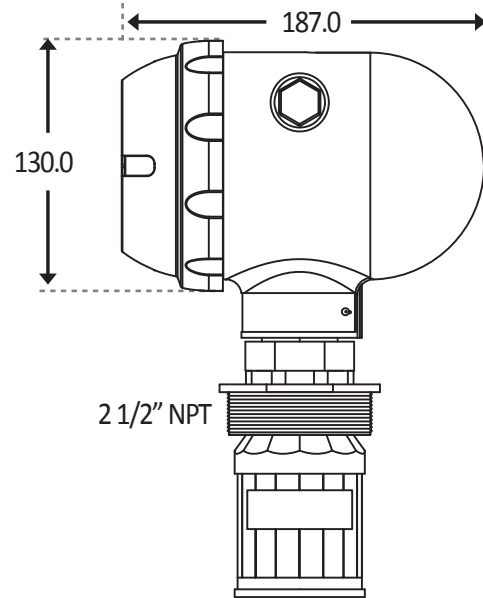
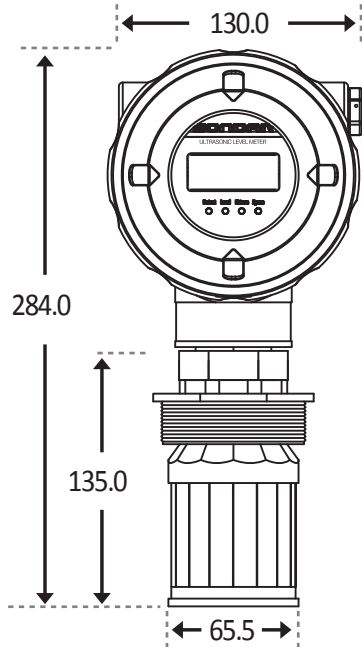
Certification	CE
Warranty	3 years

* The specification is subject to change without notice.

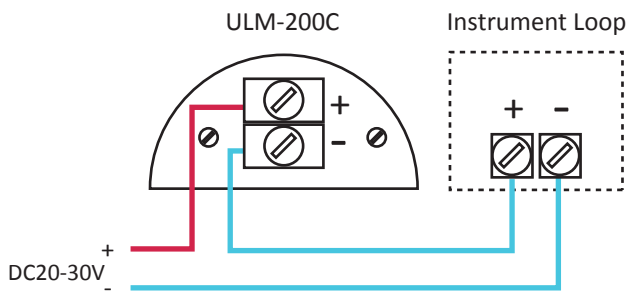
Ultrasonic Level Meter
ULM-200C

SONDAR™

■ Dimension



■ Wiring



■ Ordering Code

ULM-200C Ordering Code	
Range	
1	8 meters
Power Supply	
B	DC 20 to 30V
Communication	
N	none
Accessory-Flange	
N	none
1	80A
2	100A
3	150A
4	200A
T*	Tailor-made
Flange standard	
D	DIN
A	ANSI
J	JIS
Pipe extension	
N	none
T*	Tailor-made
ULM20C-	

T* Specify the exact size.